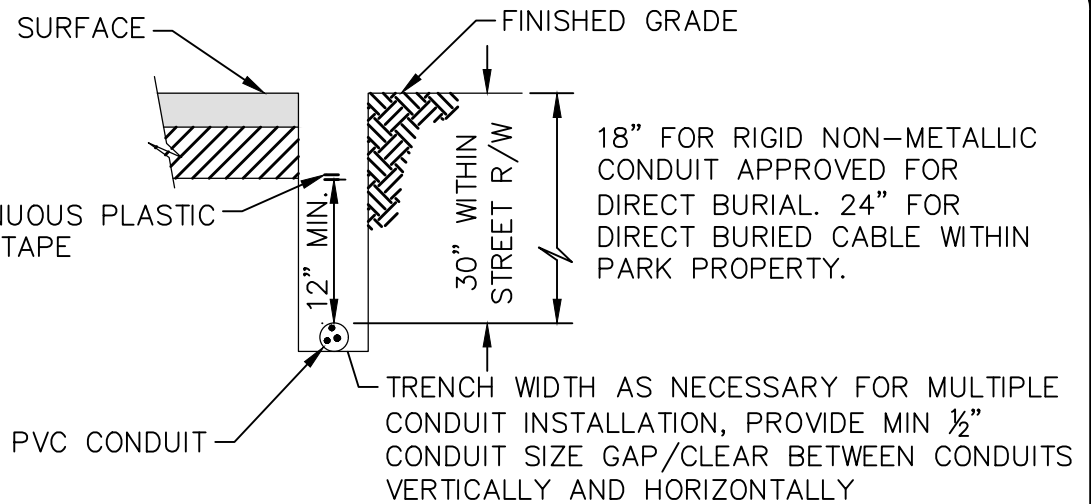
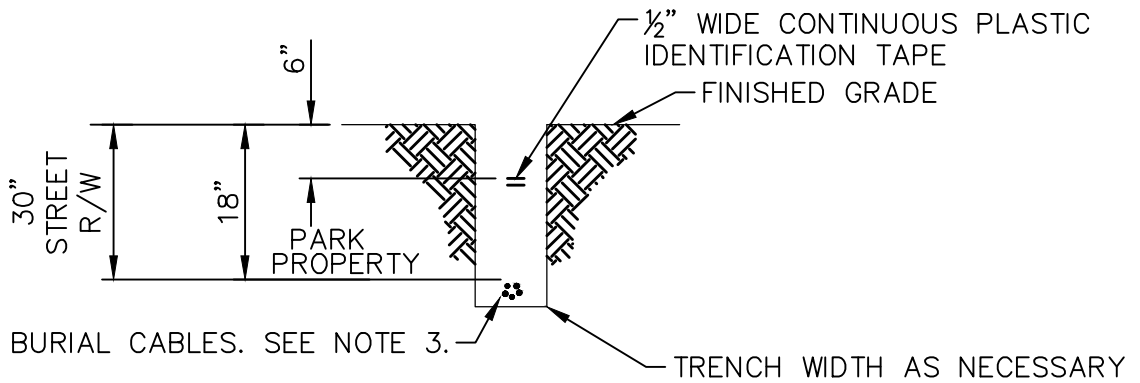


PERMANENT PAVED SURFACE  
(SEE NOTE 4)

1/2" WIDE CONTINUOUS PLASTIC  
IDENTIFICATION TAPE



HIGH VOLTAGE WIRING (50-600 VOLT)



DIRECT BURIAL CABLES. SEE NOTE 3.

TIE AT 10 FOOT INTERVALS. PROVIDE EXPANSION  
COIL IN EACH WIRE AT 100 FOOT INTERVALS AND  
IN EACH PULL BOX AND VALVE BOX.

LOW VOLTAGE WIRING (0-50 VOLT)

NOTES:

1. BACKFILL AND COMPACT ALL TRENCHES PER GREENBOOK SECTION 306.
2. REPLACE PAVED SURFACES PER GREENBOOK SECTION 302.
3. PLACE LOW VOLTAGE WIRING IN CONDUIT UNDER PAVED SURFACES.
4. IN PERMANENT PAVED AREAS WITHIN PARK PROPERTY, COVER MAY BE DECREASED BY 6 INCHES.
5. ALL SPLICES SHALL BE WEATHERPROOF AND LOCATED IN PULL BOXES.
6. CONDUCTORS SHALL BE SPLICED OR JOINED WITH UL APPROVED DEVICES.

COUNTY OF ORANGE, OC PUBLIC WORKS DEPARTMENT

Approved

*Khalid Bazmi*  
Khalid Bazmi, County Engineer

Revision: August 2018

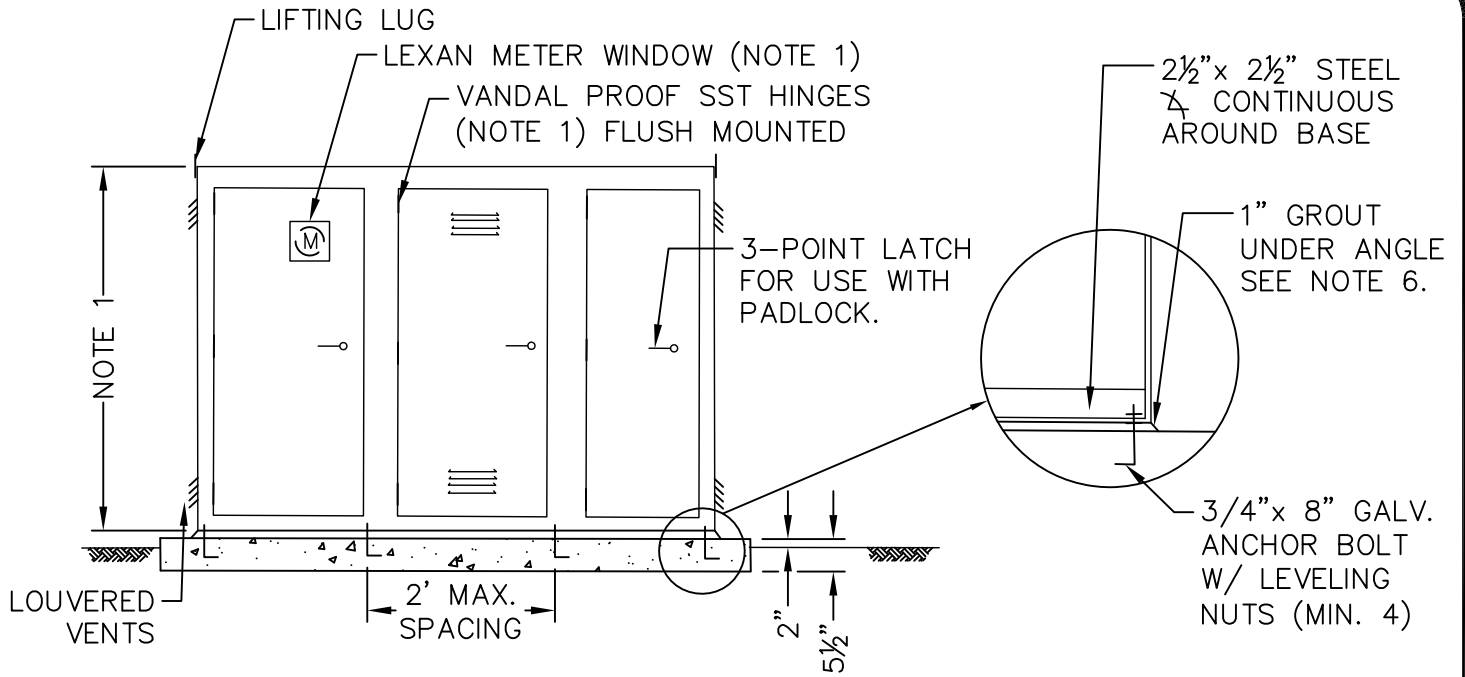
STD. PLAN

1602

BURIED ELECTRICAL WIRING ON PARK PROPERTY

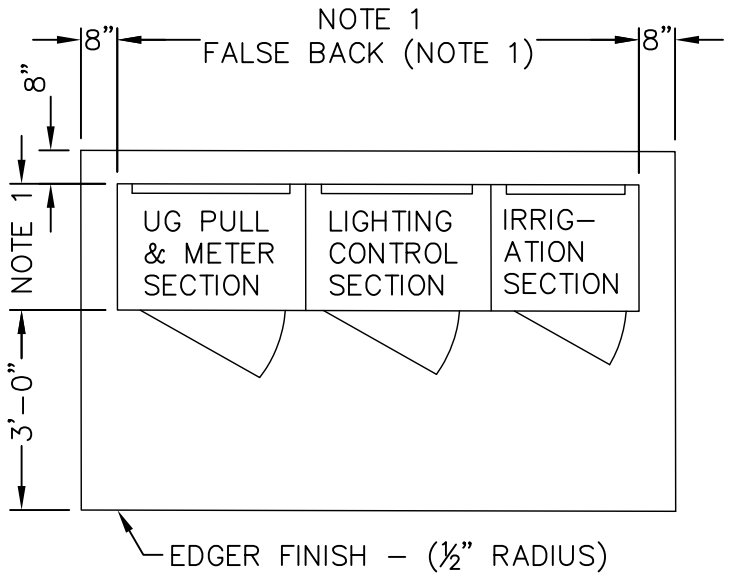
SHT. 1 OF 1





**NOTES:**

1. DIMENSIONS AND DETAILS OF ELECTRICAL ENCLOSURE SHALL BE PER APPROVED SHOP DRAWINGS.
2. ELECTRICAL ENCLOSURE SHALL BE WEATHERTIGHT AND OF 10 GAGE GALVANIZED STEEL ALL WELDED CONSTRUCTION.
3. PAINT INSIDE AND OUTSIDE PER SPECIAL PROVISIONS. BOTTOM EXTERIOR OF CABINET SHALL BE PAINTED WITH TWO COATS OF ASPHALTIC OR COAL TAR EPOXY PAINT. COLOR SHALL BE DARK GREEN OR SHALL MATCH STRUCTURE.
4. COMPACT EARTH TO 90 PERCENT RELATIVE COMPACTION UNDER SLAB.
5. CONCRETE WORK SHALL BE DONE IN ACCORDANCE WITH STANDARD PLAN 1803 AND GREENBOOK SECTION 303.
6. PROVIDE AN APPROVED SEALANT AROUND THE BASE OF THE ELECTRICAL ENCLOSURE.
7. ALL EQUIPMENT SHALL BE UL CERTIFIED.



COUNTY OF ORANGE, OC PUBLIC WORKS DEPARTMENT

Approved *Khalid Bazmi*  
Khalid Bazmi, County Engineer

Revision: August 2018

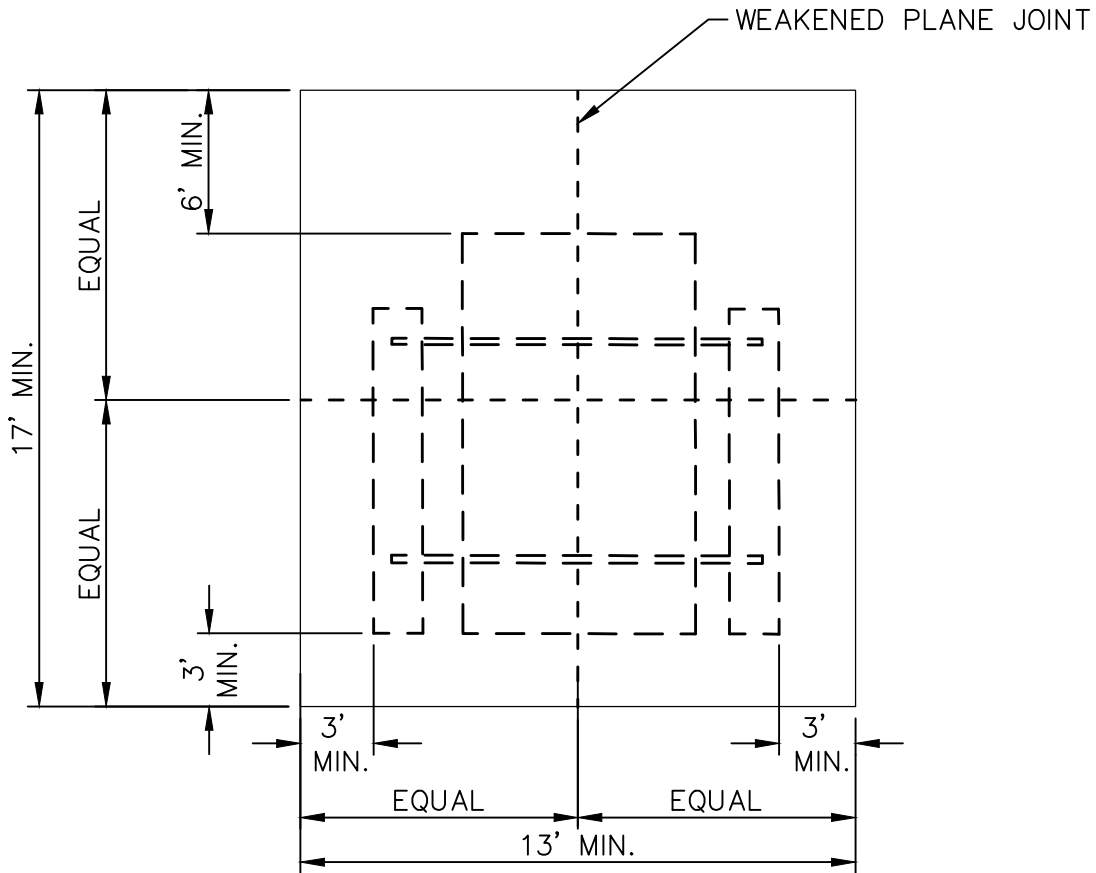
STD. PLAN

1603

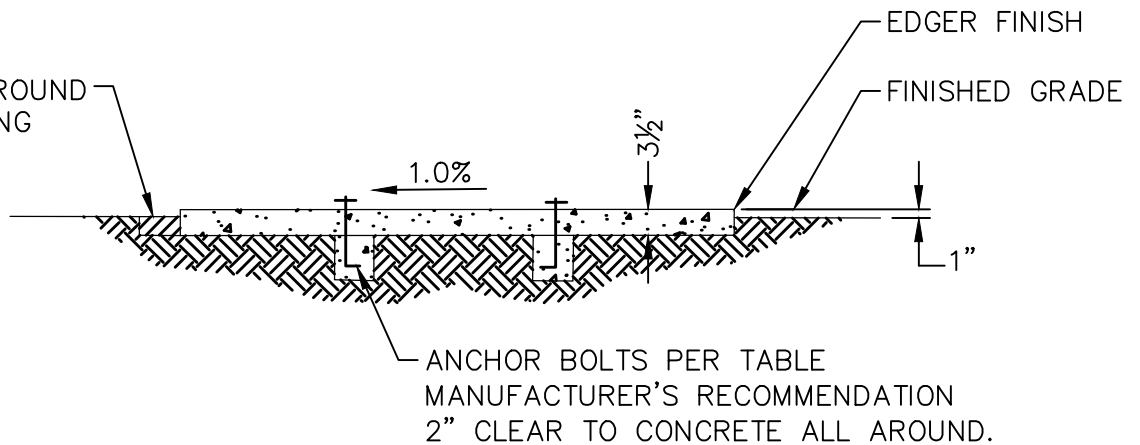
ELECTRICAL ENCLOSURE

SHT. 1 OF 1





SCARIFY 12" ALL AROUND  
PRIOR TO REPLANTING



**NOTES:**

1. CONCRETE WORK SHALL BE TYPE II OR V, CLASS 520-C-2500 CONFORMING TO STANDARD PLAN 1803 AND GREENBOOK SECTION 303.
2. LIGHT BROOM FINISH UNLESS OTHERWISE SPECIFIED.
3. PICNIC TABLE SLAB SHALL BE IN COMPLIANCE WITH ADA REQUIREMENTS WHERE ADJACENT TO PEDESTRIAN PATH OF TRAVEL.

COUNTY OF ORANGE, OC PUBLIC WORKS DEPARTMENT

Approved

*Khalid Bazmi*  
Khalid Bazmi, County Engineer

Revision: August 2018

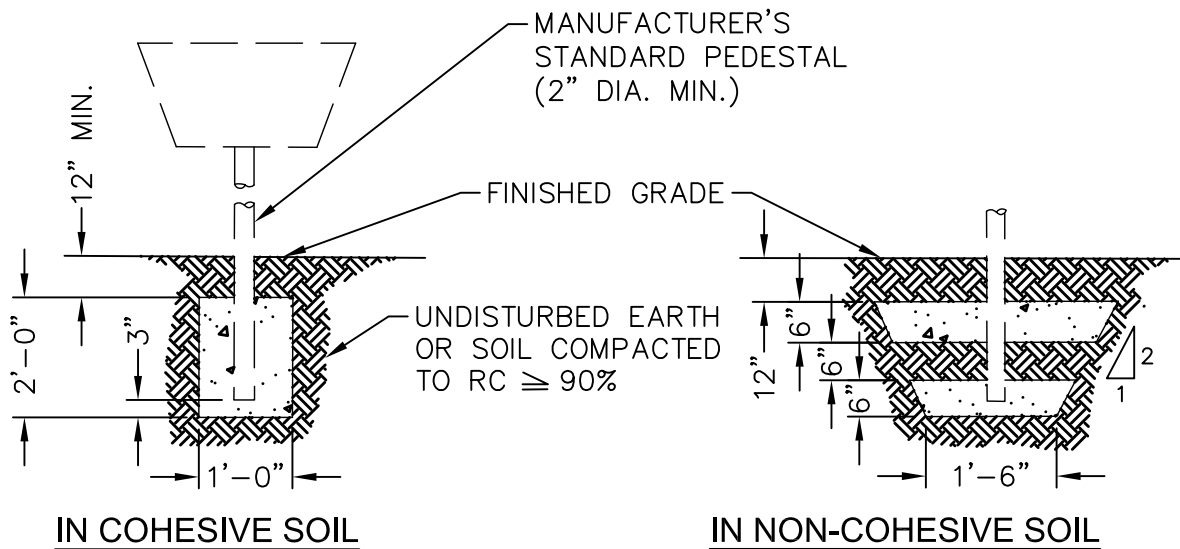
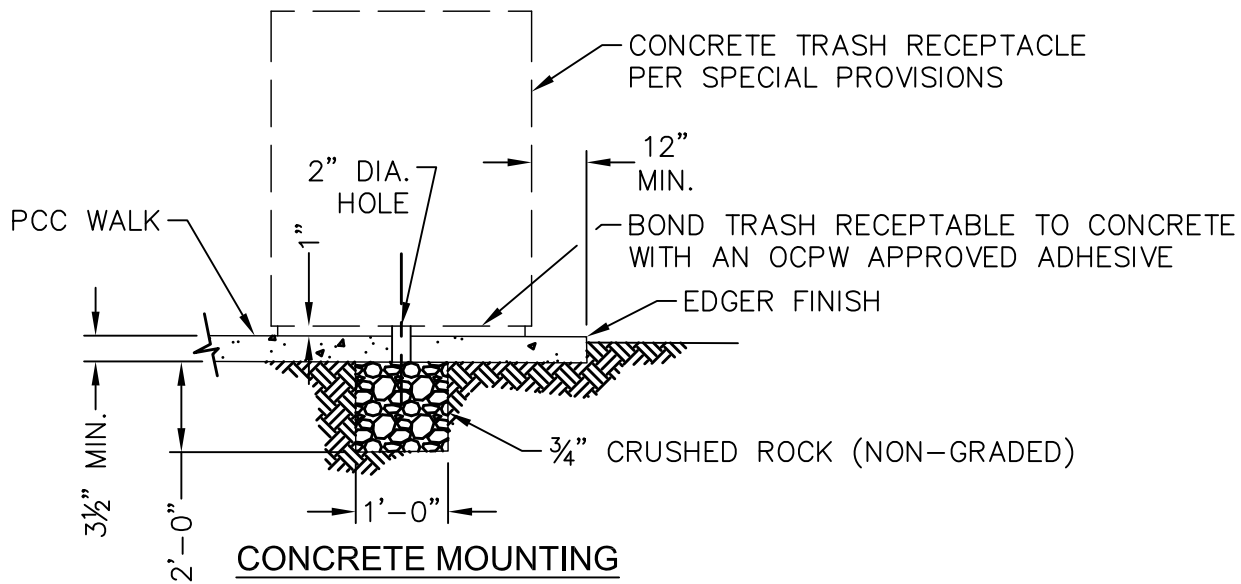
STD. PLAN

1611

SHT. 1 OF 1

PICNIC TABLE SLAB





PEDESTAL MOUNTING

NOTES:

1. CONCRETE WORK SHALL CONFORM TO STANDARD PLAN 1803 AND STRENGTH SHALL CONFORM TO GREENBOOK 520-C-2500.

COUNTY OF ORANGE, OC PUBLIC WORKS DEPARTMENT

Approved

*Khalid Bazmi*  
Khalid Bazmi, County Engineer

Revision: August 2018

STD. PLAN

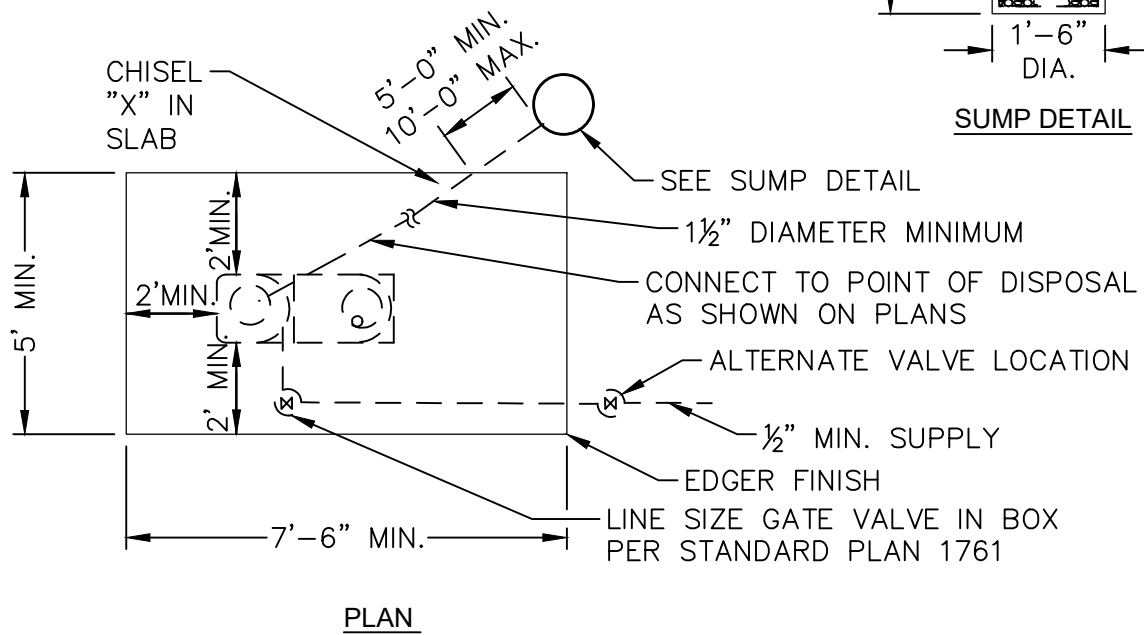
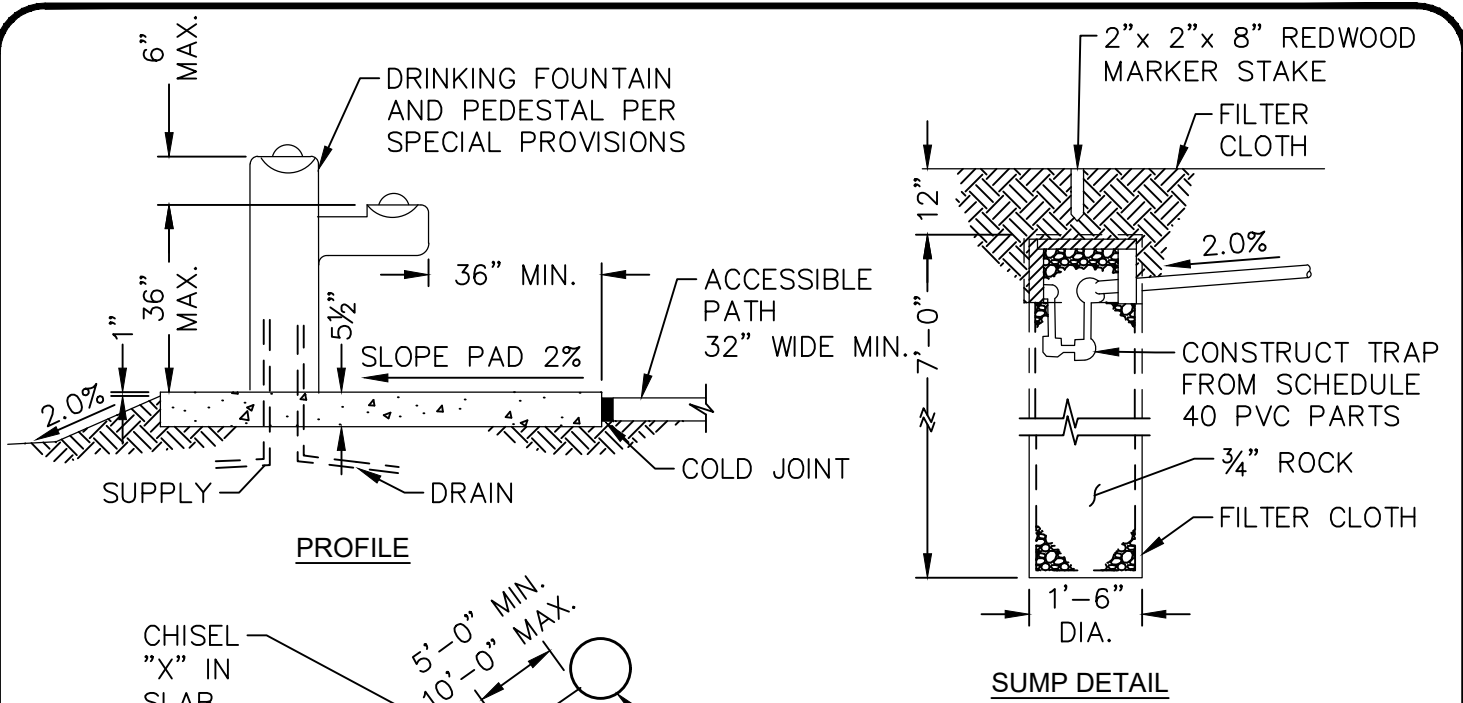
1612

TRASH RECEPTACLE INSTALLATION

SHT. 1 OF 1







**NOTES:**

1. CONCRETE WORK SHALL BE TYPE II OR V, CLASS 520-C-2500 CONFORMING TO STANDARD PLAN 1803 AND GREENBOOK SECTION 303.
2. COMPACT SOIL TO 90 PERCENT RELATIVE COMPACTION UNDER SLAB AND ABOVE SUMP PER STANDARD PLAN 1801.
3. FILTER CLOTH SHALL BE PER STANDARD PLAN 1808.
4. WHERE A DRINKING FOUNTAIN IS LOCATED WITHIN 200 FEET OF A SEWER, THE DRINKING FOUNTAIN DRAIN SHALL BE CONNECTED TO THE SEWER, UNLESS A SUMP IS CALLED FOR ON THE APPROVED PLANS. (SEE COUNTY ADAPTED AND AMENDED PLUMBING CODE FOR LIMITATIONS ON THE USE OF A SUMP FOR OVERFLOW DRAINAGE).
5. DRINKING FOUNTAIN SHALL BE IN COMPLIANCE WITH ADA REQUIREMENTS.

COUNTY OF ORANGE, OC PUBLIC WORKS DEPARTMENT

Approved *Khalid Bazmi*  
Khalid Bazmi, County Engineer

Revision: August 2018

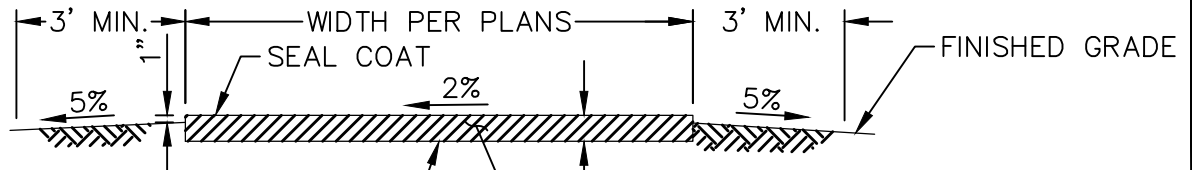
STD. PLAN

1613

DRINKING FOUNTAIN AND SUMP

SHT. 1 OF 1

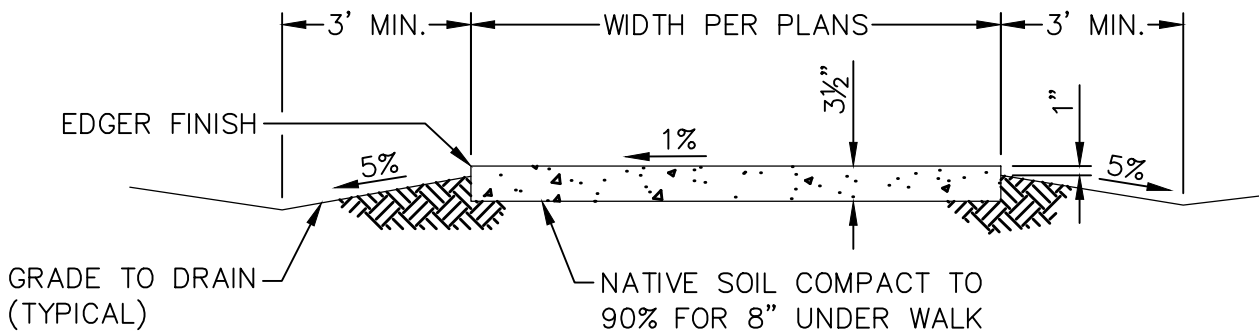




NATIVE SOIL COMPACT TO 90% RELATIVE COMPACTION FOR 6" UNDER WALK  
 T PER TABLE  
 AC PER STANDARD PLAN 1805

SOIL R-VALUE	SECTION T
<25	0.35' AC OR 0.20' AC/0.35' AB
>25	0.30' AC OR 0.20' AC/0.30' AB

### ASPHALT CONCRETE WALK



### PORTLAND CEMENT CONCRETE WALK

(NOT FOR HIGHWAY USE)

#### NOTES:

1. PCC WORK SHALL CONFORM TO STANDARD PLANS 1803 AND 1205 AND THE GREENBOOK SECTION 303.
2. FOR ANY VERTICAL OBSTRUCTION, THE MINIMUM HORIZONTAL CLEARANCE FROM EDGE OF WALK SHALL BE 18 INCHES.
3. SEE STANDARD PLANS 1804 AND 1805 FOR BASE AND ASPHALT CONCRETE MATERIAL SPECIFICATIONS.
4. PLACE NON-MIGRATING SOIL STERILANT UNDER AC.
5. AC WORK SHALL CONFORM TO STD PLAN 1805 AND GREENBOOK SECTION 302.
6. AB SHALL CONFORM TO STD PLAN 1804 AND GREENBOOK SECTION 301.

COUNTY OF ORANGE, OC PUBLIC WORKS DEPARTMENT

Approved

*Khalid Bazmi*  
 Khalid Bazmi, County Engineer

Revision: August 2018

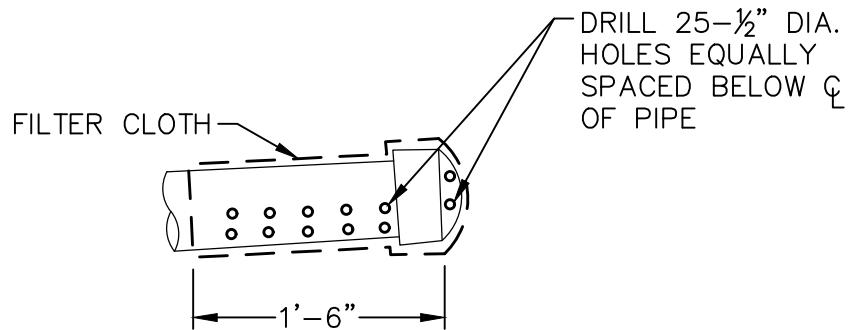
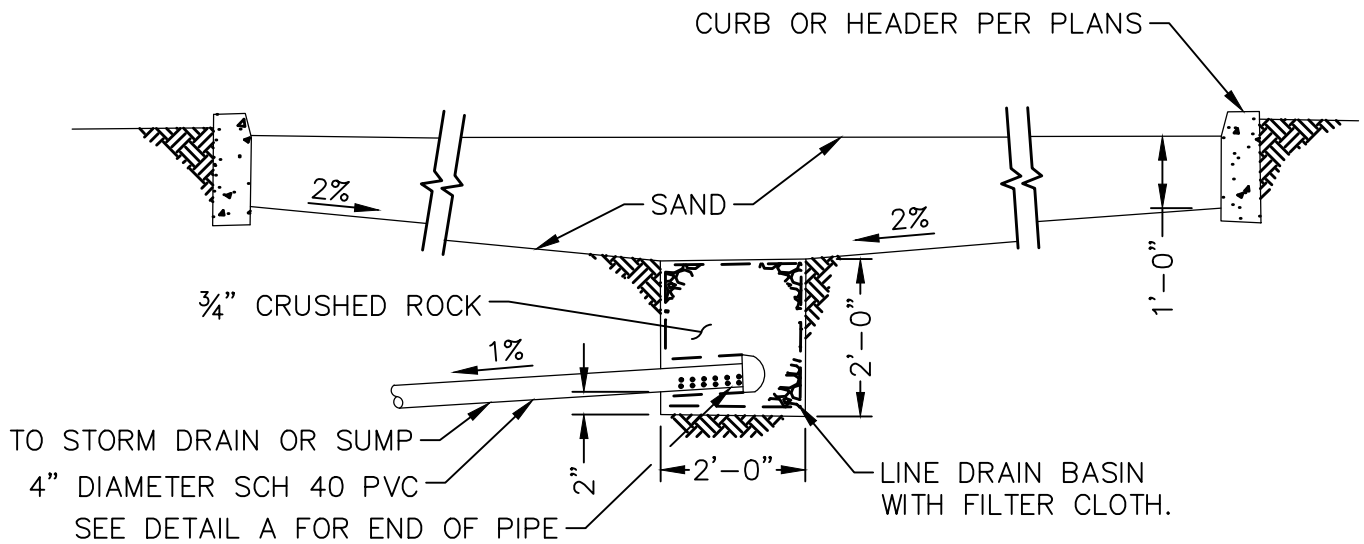
STD. PLAN

1621

ASPHALT AND CONCRETE WALKS

SHT. 1 OF 1





DETAIL A

NOTES:

1. MAXIMUM AREA SERVED BY ONE DRAIN BASIN IS 2,000 SF.
2. FILTER CLOTH SHALL BE PER STD. PLAN 1808.
3. FINAL DRAIN LOCATION TO BE DETERMINED BY THE ENGINEER.

COUNTY OF ORANGE, OC PUBLIC WORKS DEPARTMENT

Approved

*Khalid Bazmi*  
Khalid Bazmi, County Engineer

Revision: August 2018

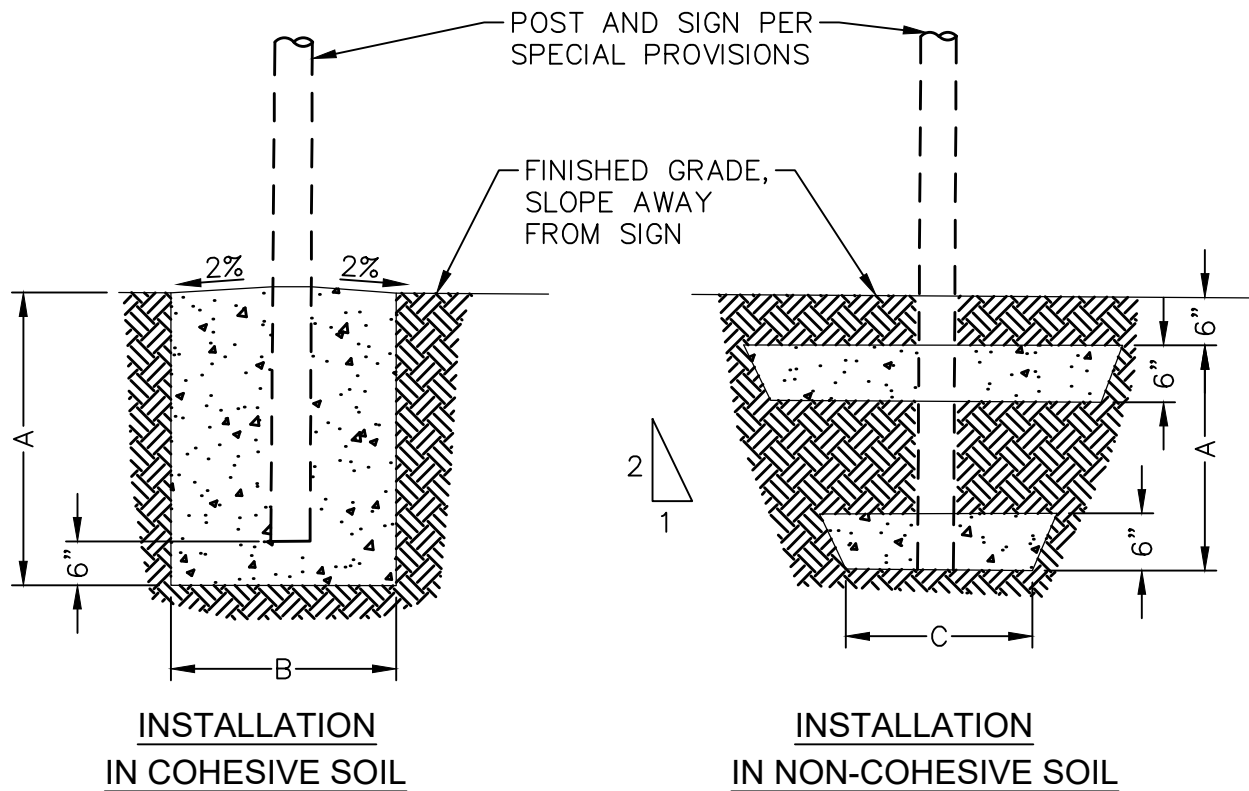
STD. PLAN

1631

PLAY LOT DRAIN

SHT. 1 OF 1





SIGN AREA	A	B	C
UP TO 4 SF	3'	2'	1'-6"
4 - 8 SF	3'	3'	2'-0"

**NOTES:**

1. PLACE CONCRETE AGAINST UNDISTURBED EARTH.
2. CONCRETE WORK SHALL BE TYPE II OR V, CLASS 520-C-2500 CONFORMING TO STANDARD PLAN 1803 AND GREENBOOK SECTION 303.
3. WOOD POSTS SHALL BE PRESSURE TREATED SELECT DOUGLAS FIR OR REDWOOD. STEEL POSTS SHALL BE HOT DIP GALVANIZED.
4. FOOTING MAY BE ROUND OR SQUARE.
5. DISTANCE FROM TOP OF SIGN TO FINISHED GRADE SHALL NOT EXCEED 5 FEET.
6. SLOPE TOP OF COHESIVE SOIL FOOTING TO DRAIN AWAY FROM POST AT 2 PERCENT MINIMUM.
7. EXPOSED CONCRETE SHALL BE MEDIUM BROOM FINISH.
8. SOIL CONDITIONS SHALL BE VERIFIED BY QUALIFIED ENGINEER.

COUNTY OF ORANGE, OC PUBLIC WORKS DEPARTMENT

Approved

*Khalid Bazmi*  
Khalid Bazmi, County Engineer

Revision: August 2018

STD. PLAN

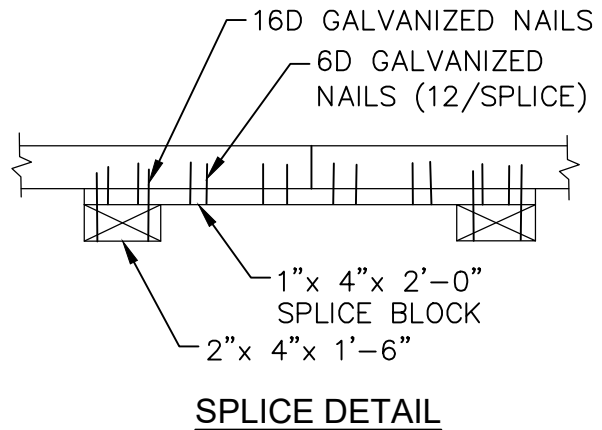
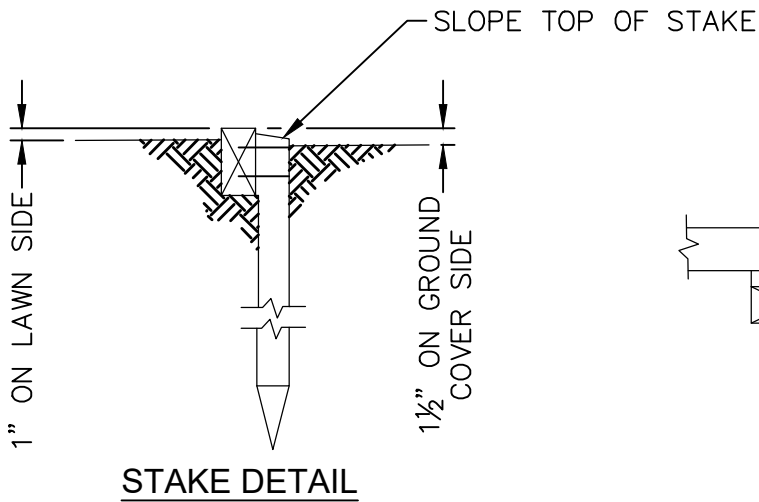
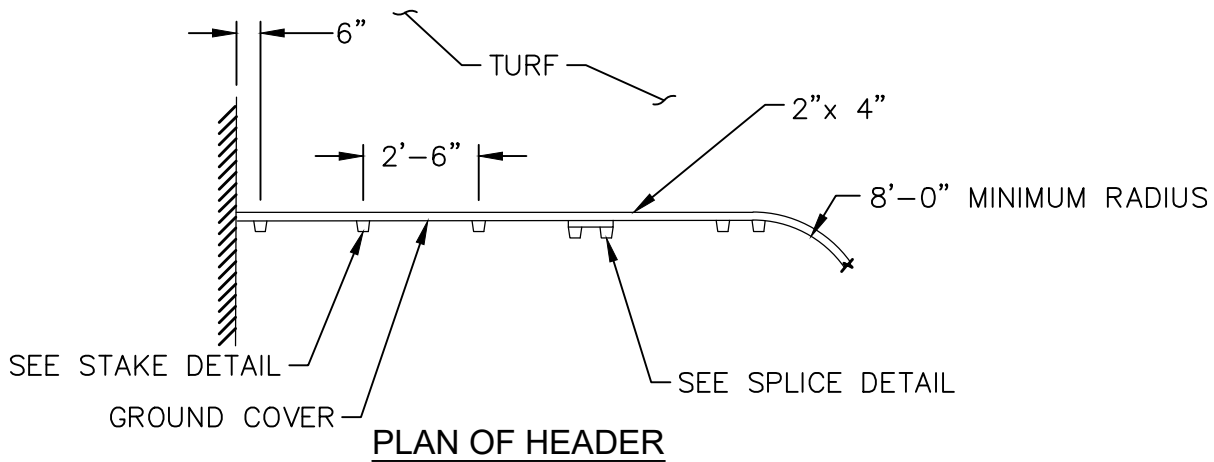
1641

SIGN FOOTING

SHT. 1 OF 1







**NOTES:**

1. HEADERS AND STAKES SHALL BE REDWOOD, RECYCLED PLASTIC OR PRESSURE TREATED DOUGLAS FIR. PRESSURE TREATMENT PER GREENBOOK.
2. USE THREE LAMINATED 1/2 INCH BY 4 INCH BOARDS FOR CURVED HEADER BOARDS.
3. USE GALVANIZED FASTENERS.

COUNTY OF ORANGE, OC PUBLIC WORKS DEPARTMENT

Approved

*Khalid Bazmi*  
Khalid Bazmi, County Engineer

Revision: August 2018

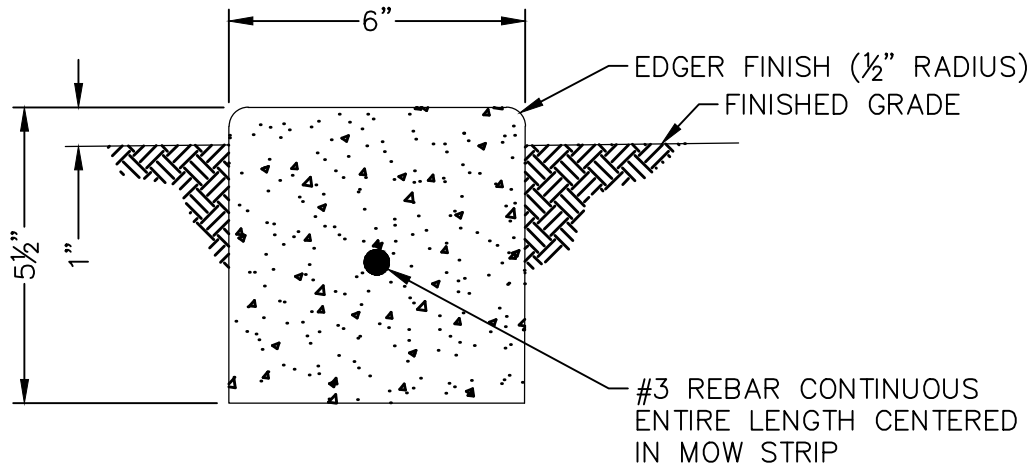
STD. PLAN

**1682**

**HEADER DETAILS**

SHT. 1 OF 1





**NOTES:**

1. CONCRETE WORK SHALL BE TYPE II OR V, CLASS 520-C-2500 CONFORMING TO STANDARD PLAN 1803 AND GREENBOOK SECTION 303.
2. PROVIDE WEAKENED PLANE JOINTS AT 10 FEET MAXIMUM SPACING, AT ANGLE POINTS, AND AT BEGINNING AND END OF CURVE.

COUNTY OF ORANGE, OC PUBLIC WORKS DEPARTMENT

Approved

*Khalid Bazmi*  
Khalid Bazmi, County Engineer

Revision: August 2018

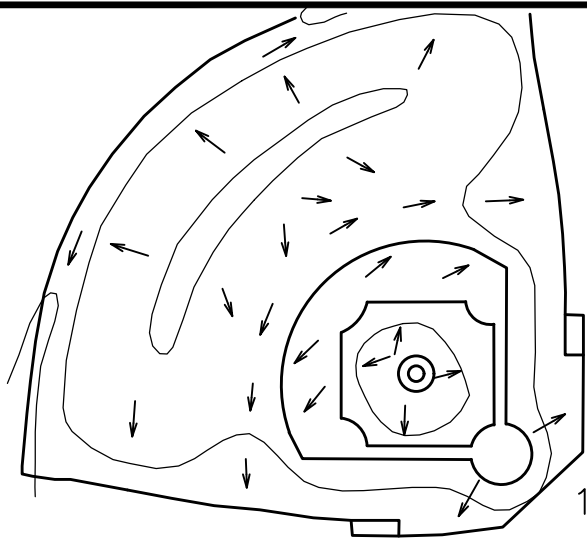
STD. PLAN

1685

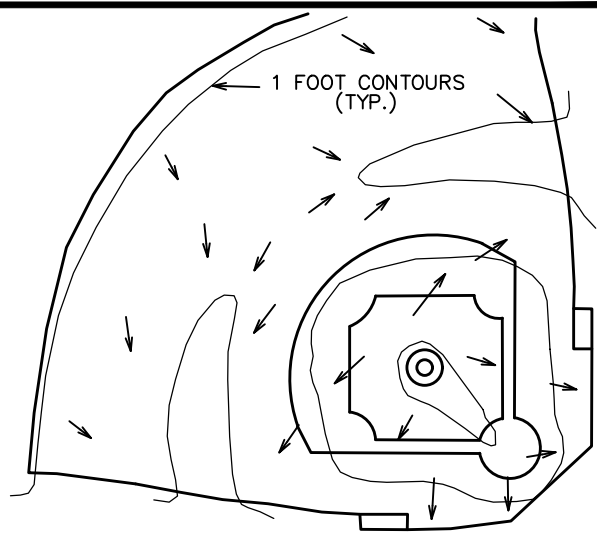
MOW STRIP

SHT. 1 OF 1

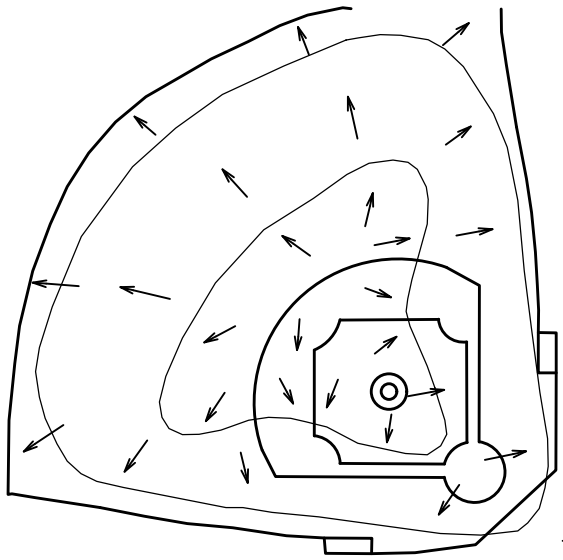




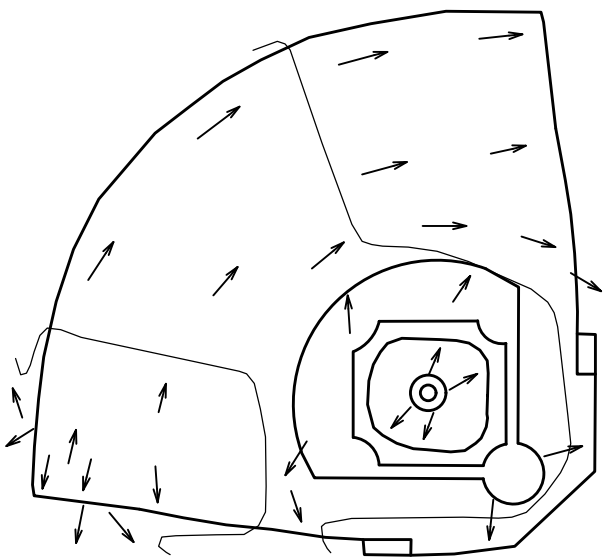
1



2



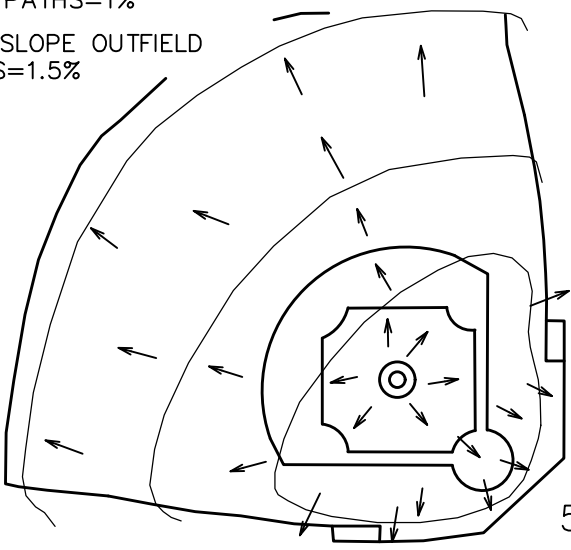
3



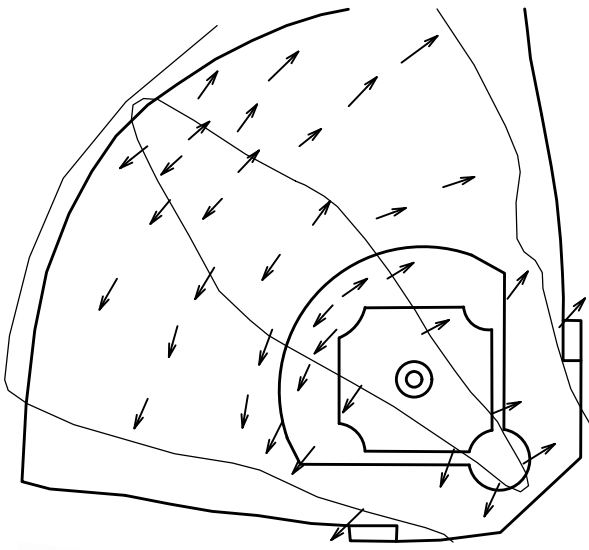
4

**NOTES:**

- 1. MAX. SLOPE INFIELD AND BASE PATHS=1%
- 2. MAX. SLOPE OUTFIELD AREAS=1.5%



5



6

COUNTY OF ORANGE, OC PUBLIC WORKS DEPARTMENT

Approved *Khalid Bazmi*  
*Khalid Bazmi, County Engineer*

Revision: August 2018

STD. PLAN

1690

**BASEBALL DIAMOND DRAINAGE PATTERNS**

SHT. 1 OF 1

